

Performance Motorized Screen

Accessories

- Wall mounting bracket (2pcs)
- #5 x 40mm Tapping screw & cap (8sets)
- #5 x 60mm Wood screw (8pcs)
- Hanging board (2pcs)
- Allen key (1pc)
- Top Board (2pcs)
- M6x10 Screw (6pcs)
- Spring Washer (4pcs)
- M 6 x 12 Hexagon screw (4sets)
- External IR Receiver (1pc)
- Instruction manual (1pc)

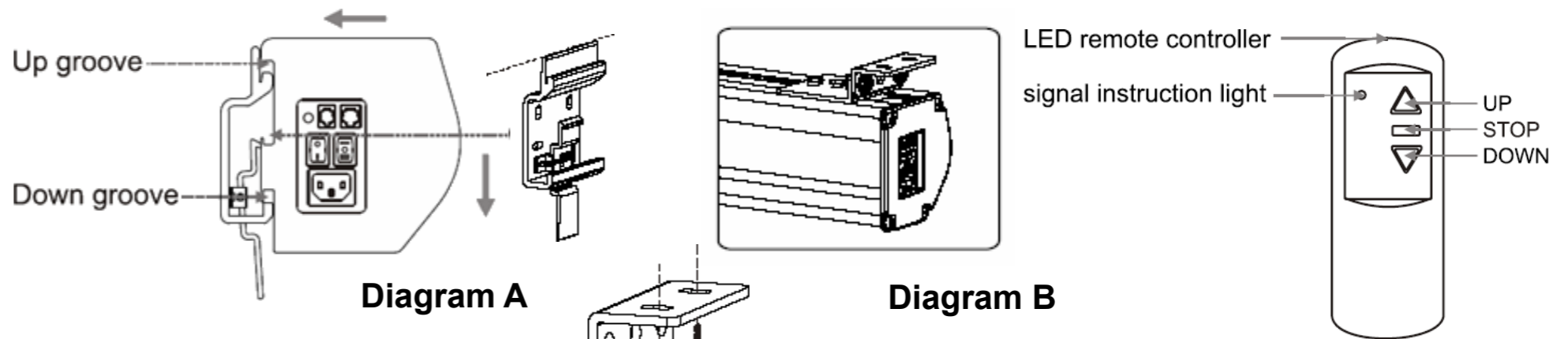
Motorized Screen Power Specifications

Voltage	Frequency	Watts	Application
230V/120V/100V	50Hz/60Hz	160W/90W	Applies 150" ~200" motorized screens

Getting Started

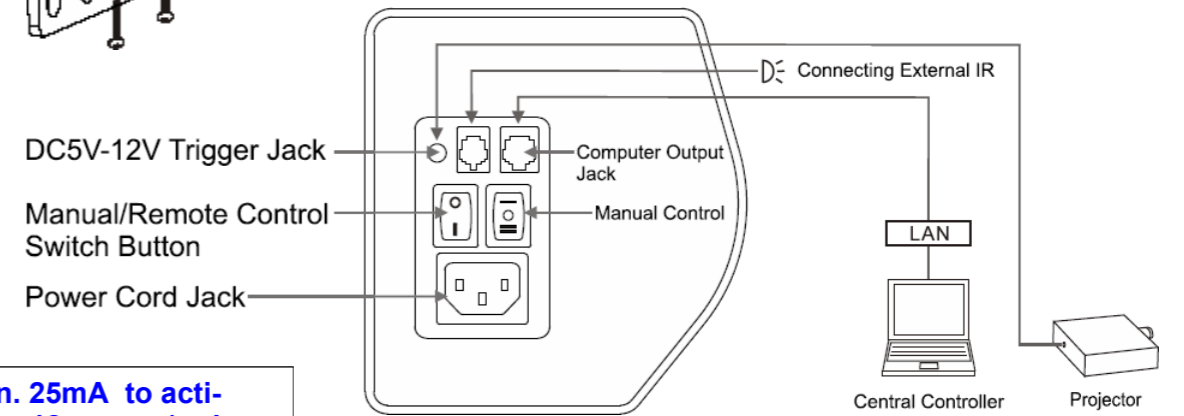
1. First secure the mounting brackets to studs or trusses, making sure they are level. Once the mounting brackets are secured, hang the screen on the hook portion of the brackets as seen in diagram A. Secure the screen by snapping into place with the up and down groove. For ceiling mount, use the additional hanging "Top" board brackets as seen in diagram B.

Installation Help Line
(512) 832-6939



2. Once power is connected, plug in the IR receiver or 12 volt-trigger into the screen as seen in diagram C. You may use the supplied remote or program your learning remote to perform commands up, stop, and down.

12 Volt Trigger—It takes DC 5V ~ 12 V and min. 25mA to activate the 12V trigger. Use shielded 2 conductor 18 gauge (or larger) wiring. No longer than 65 ft.



3. Setting the screens drop: This is done by using the **Top and Bottom Screws** shown in diagram D. The projector must be turned on at this time to ensure the pictures image is aligned. Locate the **Limit Screws** on the left bottom of the screen casing. The first step is to set the **"WHITE"** bottom stop point. Using the **Allen Key** turn the white bottom screw to the right to increase drop and to the left to decrease. Push the down arrow on the remote to see how far you have adjusted the screens drop. Repeat this step to set the **"YELLOW"** top screw. Note: "do not raise the top screw past the default setting" To remove the screen from the wall, pull the release trigger on the mounting brackets seen in diagram E.

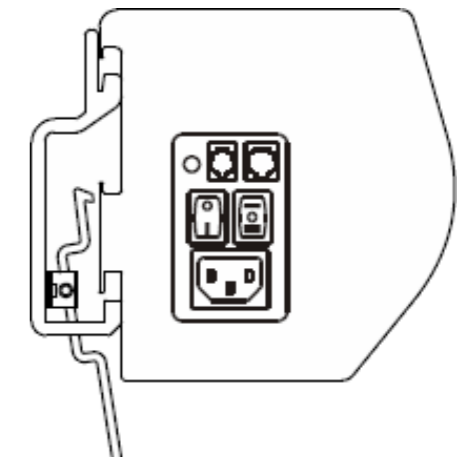
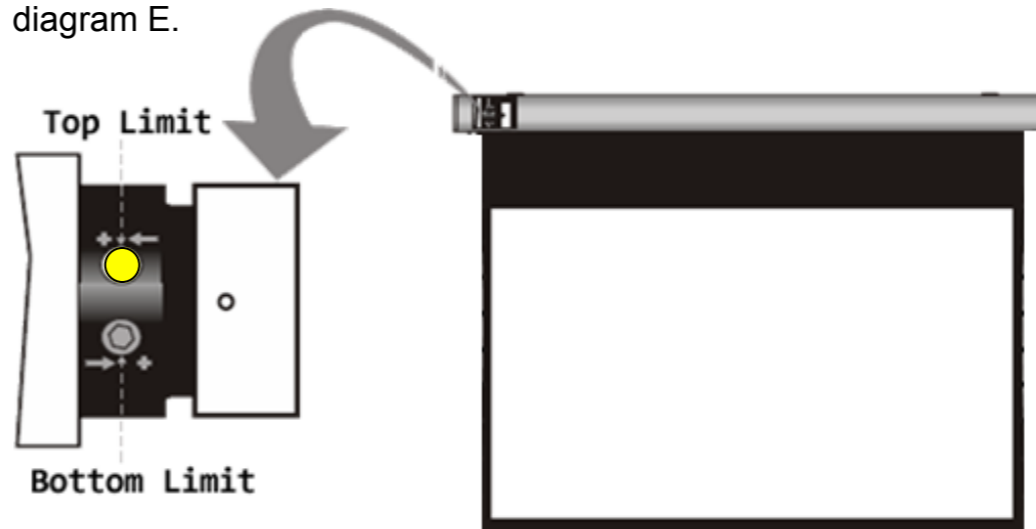


Diagram D

Diagram E